

USB2.0 Ultraviolet CCD CAMERA ARTCAM-407UV-WOM Series INSTRUCTION BOOKLET

1.5 M pixels ARTCAM-407UV-WOM Series

ARTRAY CO., LTD.
ARTRAY

Contents

1. Attention.....	- 3 -
2. Introduction.....	- 6 -
3. Features	- 6 -
4. The Product.....	- 7 -
5. Connections	- 7 -
5.1. How to connect a camera	- 7 -
5.2. Shutter Speed.....	- 7 -
6. Specification	- 8 -
6.1. Specifications	- 8 -
7. External Dimensions	- 9 -
7.1. C-MOUNT, CASED, USB CABLE TYPE.....	- 9 -
7.2. BOARD LENS, BOARD TYPE.....	- 10 -
7.3. C-MOUNT, BOARD TYPE	- 11 -
8. Spectral Sensitivity Characteristics.....	- 12 -
8.1. ARTCAM-407UV-WOM series.....	- 12 -
9. Ultraviolet (UV) Transmitting, Visible Absorbing Filter Characteristics.....	- 12 -
10. AD Conversion (ARTCAM-WOM series).....	- 13 -
10.1. Standard functions (configurable in standard viewer/SDK).....	- 13 -
10.2. Optional functions (please contact us for further details.)	- 13 -
11. Optional Functions	- 14 -
11.1. Trigger Input.....	- 14 -
11.2. GPIO	- 14 -
11.3. Trigger Timing Chart.....	- 16 -
12. System Requirements	- 17 -
12.1. Recommended System Requirements.....	- 17 -

1. Attention

■About this manual

1. Before using the camera, please read this manual thoroughly.
2. Please keep this manual reachable and always refer to the contents when needed.
3. Please contact us if the manual is lost or damaged. We will provide a replacement.
4. We cannot guarantee the safety of improper uses of the camera.
5. For your safety, please follow the directions of this manual.
6. All contents are subject to change.
7. Images in this manual may have been simplified to be easier comprehended.
8. Please contact us if you find any unclear points or mistakes in this manual.
9. Quoting, copying or altering some or all parts of the manual without our permission is prohibited.
10. We are not responsible for any lost or damages on your profits due to the use of our products.
11. Please understand that our oversea branches do not provide maintenance or repair services.

■About the Icons

To keep the safety of the user, other people and their properties, please pay attention to the following icons.



Warning

If the user fails to follow the instruction, serious injury or death may occur.



Caution

If the user fails to follow the instruction, physical injury on human or damages on hardware may occur.

■ For Safe Use



Warning

● In following circumstances, please stop using the product and turn off the power immediately to prevent the risks of fires and electric shocks. If the product is defective, please contact us for repair or exchange. For your safety, please do not disassemble, modify or repair the camera on your own.

Please stop using the product and turn off the power immediately when:

- The product becomes smoky or gets extremely hot on the surface, or makes unusual smells or sounds.
- Foreign material or water gets into the product.
- The product falls and becomes damaged.

● Do not place the product on unstable surfaces. The product may be fallen and people may get hurt.



Caution

● Do not expose the product to steam or fumes to avoid electric shocks and fires.

● Do not leave the product in high temperature places such as inside of vehicles or under direct sunlight. High temperature may cause damages to the camera, or even cause fires.

● Do not cover the product with cloth or other materials. The product may get extremely hot and the heat may cause deformations on the parts or even cause fires.

● Please avoid dropping or shocking the product as the product may be damaged.

● Do not touch the cable with a wet hand. Such action may cause electric shocks.

● Please avoid continuously contacting the surface of the camera to your skin when the camera is being used. The surface temperature of the camera may cause burns.

■ Other Notices

● Please do not use the camera under strong lights such as sun light for a long period. Also please do not expose the camera under strong lights even when the product is not being used because the sensor might be damaged.

Maintenance

● Wipe the dirt on surface with soft cloth or tissue paper. Do not use alcohol, thinner or benzene to avoid damaging the surface paints.

Electro Magnetic Interference

●The camera may interfere with electronic devices such as TV and radio. Please do not place the camera next to such equipment.

■Export Control

This product is a Catch-all Control item subject to the Foreign Exchange and Foreign Trade Act and its relevant legislations. Except for exporting to the 26 white countries designated in the Cabinet Order, export licenses are required if the products are going to be used for military use or if the end user of the product is related to all kinds of military activities. If your circumstances cause the need to apply export licenses, please notify us before you place orders. Also, please notify us in advance if the end users or purposes of use change after the purchase and thus cause the need to apply export licenses.

About the Japanese Security Export Controls, please refer to the webpage for Security Export Control Policy, the Ministry of Economy, Trade and Industry:

www.meti.go.jp/policy/anpo/englishpage.html

The above is based on the enforcement laws and regulations at the time of issuance of this document. Please be sure to check the latest laws and regulations before actually exporting this product.

■Guarantee

To save the environment, we do not issue warranty in printed format. Instead, all records of the warranty periods, delivery dates and the customer information are well kept in our system.

For more details, please refer to the following link:

Hardware Warranty: http://www.artray.us/download/artray_warranty.pdf

●We do not guarantee the functions of this product or the descriptions on this manual to be completely adapted to the users' end applications or marketing purposes. We are also not held responsibility for any direct or indirect damages caused by our products under any circumstances.

●Please do not use this product for a task that require high reliability. This product is not manufactured to be used as medical, nuclear, aerospace, transportation equipment or equipment or that is highly related to human safety. We are not held responsibility for any damages on the users' property, equipment or personal safety caused by this product.

■Disposal

●To dispose this product, please return the camera to us. If you decide to dispose the camera without returning it to us, please follow related regulations and have the camera disposed as an industrial waste. Please always keep track of the disposal, and make sure the disposed camera cannot be accessed or used by any third party.

2. Introduction

The ARTCAM-407UV-WOM is camera adopting a CCD sensor equipped sensitivity of ultraviolet. The area of visible light is hardly recognized based on its combination with UV lighting equipment and it easily reflects blur, stain and scratch on the surface of objects.

This series adopt USB2.0 interface, so the data can be delivered to PC directly without a capture board.

Cameras are equipped with on board memory which avoid data missing during transfer.

We provide a variety including cased cameras, board cameras which can be easily incorporated to other equipment, and so on.

3. Features

- High Resolution, High Frame Rate

With high resolution of 1360(H) x 1024(V) pixels, the frame rate can reach 12fps.

- USB2.0 Interface

Our cameras adopt USB2.0 interface, so the data can be delivered to PC directly and no capture board is needed.

- Small and Light

Our cameras are small and light, thus can be easily installed according to your desires.

Also, the board type camera with small type board lens is easy to be incorporated with other machines.

- Varieties to Your Needs

We provide a variety including cased cameras, board type cameras, C-Mount board type cameras.

Also, we provide color and monochrome models to meet customers' needs.

- Included Viewer Software

ART-Viewer (Windows 7/8/10/11).

Users can easily preview, save images and change camera settings by ART-Viewer.

- Included Software Development Kit

When developing image processing software, a software development kit that enables you to acquire Camera image acquisition and camera control are possible with other applications is included as standard.

You can also download it from the website below.

http://www.artray.us/download_sdk.html

- 2D Measurement & Filing Software(Optional)

Useful 2D measuring functions are available with the optional 2D Measuring & Filing Software - ART-MEASURE.

4. The Product

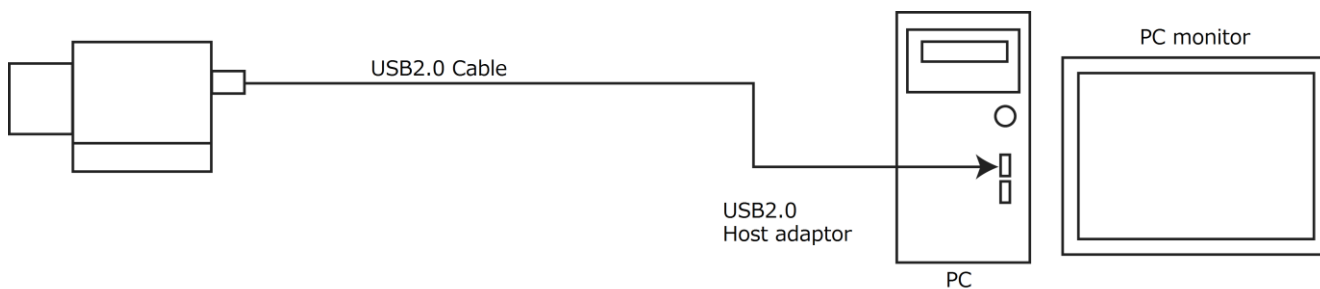
- 1) Camera
- 2) USB2.0 Cable (Type A-B connector cable, 3m approx.)
*A type-A connector (3m) is attached for an open frame model without USB connector.
- 3) Viewer software and Device driver CD

<Option>

- 1) C Mount Lens
- 2) 2D Measurement & Filling Software <ART-MEASURE>
- 3) LabView DLL
- 4) USB extension cable with repeater function (5.0m)

5. Connections

5.1. How to connect a camera



5.2. Shutter Speed

Shutter speed can be changed on the standard viewer software ART-Viewer.

The shutter speed is set directly on the sensor register, so please refer to the following formulas for the real exposure time.

Model	Method
407UV-WOM Series	Range : 7~1074(Exposure Time : 1/58824~1/12.5 sec) $\text{Exposure Time} = ((1074 - \text{Shutter Value}) \times 1790 + 424) \times 0.042 \quad [\mu \text{sec}]$ *at 24MHz

6. Specification

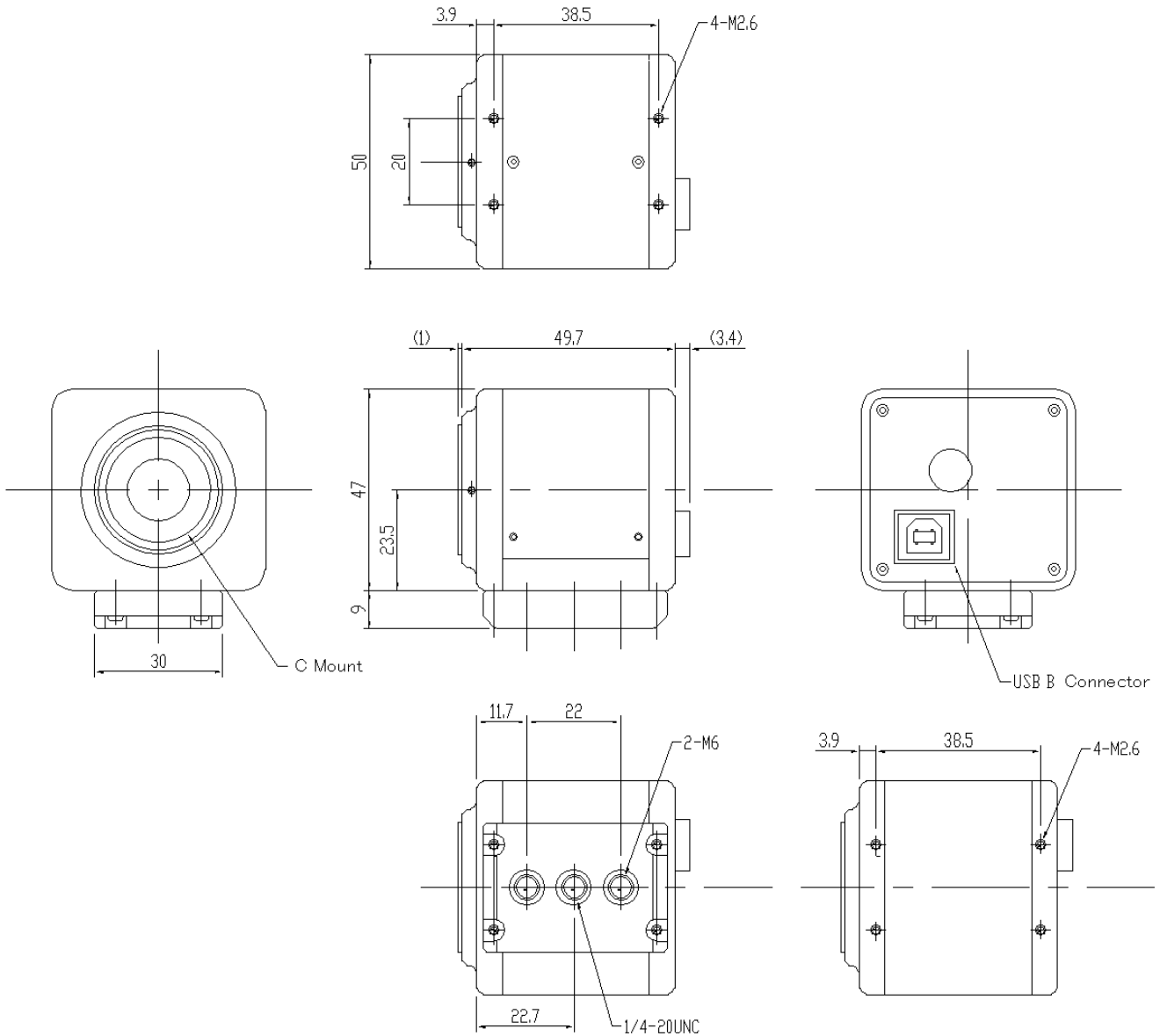
6.1. Specifications

	ARTCAM-407UV-WOM 407UV-WOM-OP 407UV-WOM-OP-CM
Sensor Type	CCD Monochrome Image Sensor
Total Number Of Pixels	1434(H) × 1050(V)
Number Of Effective Pixels	1392(H) × 1040(V)
Resolution	1360(H) × 1024(V)
Active Imager Size	6.47(H) × 4.83(V)mm 1/2"
Scan Mode	Progressive Scan
Pixel Size	4.65(H) × 4.65(V) μm
Shutter Type	Global Shutter
Frame Rate	12fps
Shutter Speed	1/58824~1/12.5s
Interface	USB2.0 Bulk Transfer
Synchronization System	Internal Synchronization
Lens Mount	C Mount(407UV-WOM、407UV-WOM-OP-CM) Board lens Mount M12 P0.5(407UV-WOM-OP)
Power	DC5V(Supplied by USB port)
Power Consumption	Under Approx.2W
Ambient Conditions	Operating Temperature/Humidity : 0~35° C/10~80%(Non condensing)
External Dimensions	50(W) × 47(H) × 49.7(D)mm(407UV-WOM) 43.5(W) × 43.5(H) × 33.3(D)mm(407UV-WOM-OP) 50(W) × 47(H) × 36.7(D)mm(407UV-WOM-OP-CM) *Lens and tripod mount not included
Weight	Approx.120g(407UV-WOM) Approx.50g(407UV-WOM-OP) Approx.80g(407UV-WOM-OP-CM) *Lens, tripod mount and cable not included

7. External Dimensions

7.1. C-MOUNT, CASED, USB CABLE TYPE

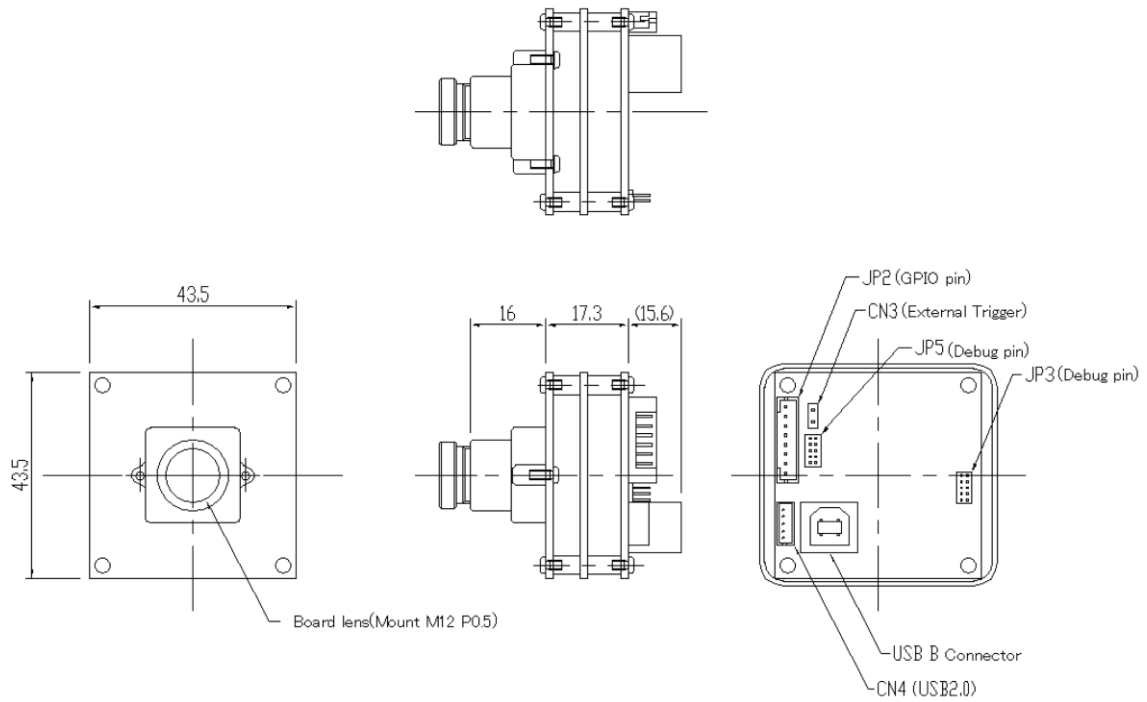
ARTCAM-407UV-WOM



Drawing of the base without a tripod mount

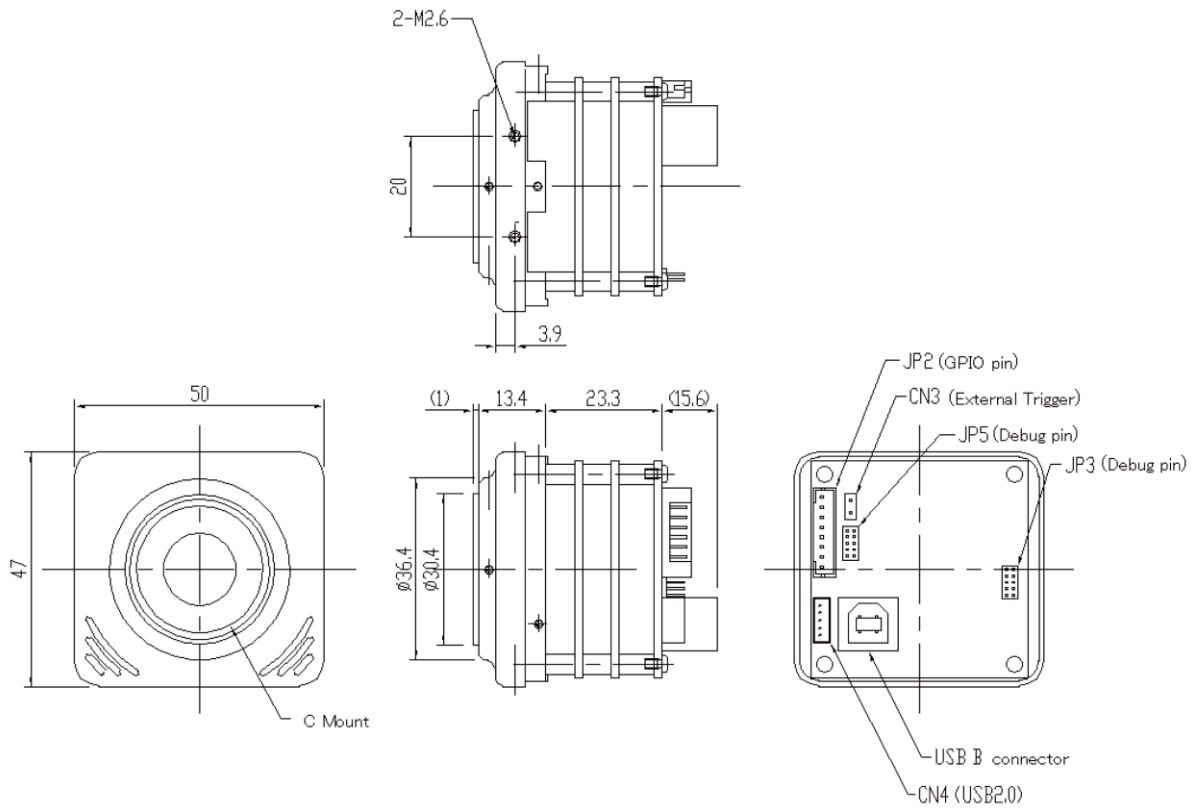
7.2. BOARD LENS, BOARD TYPE

ARTCAM-407UV-WOM-OP



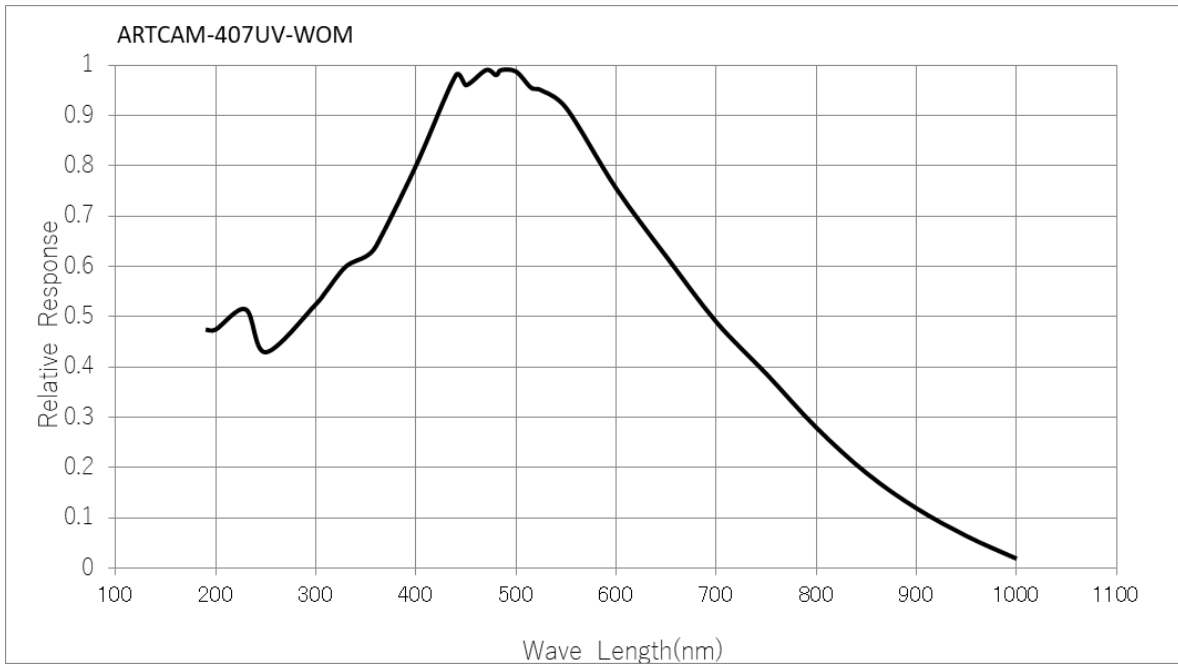
7.3. C-MOUNT, BOARD TYPE

ARTCAM-407UV-WOM-OP-CM



8. Spectral Sensitivity Characteristics

8.1. ARTCAM-407UV-WOM series

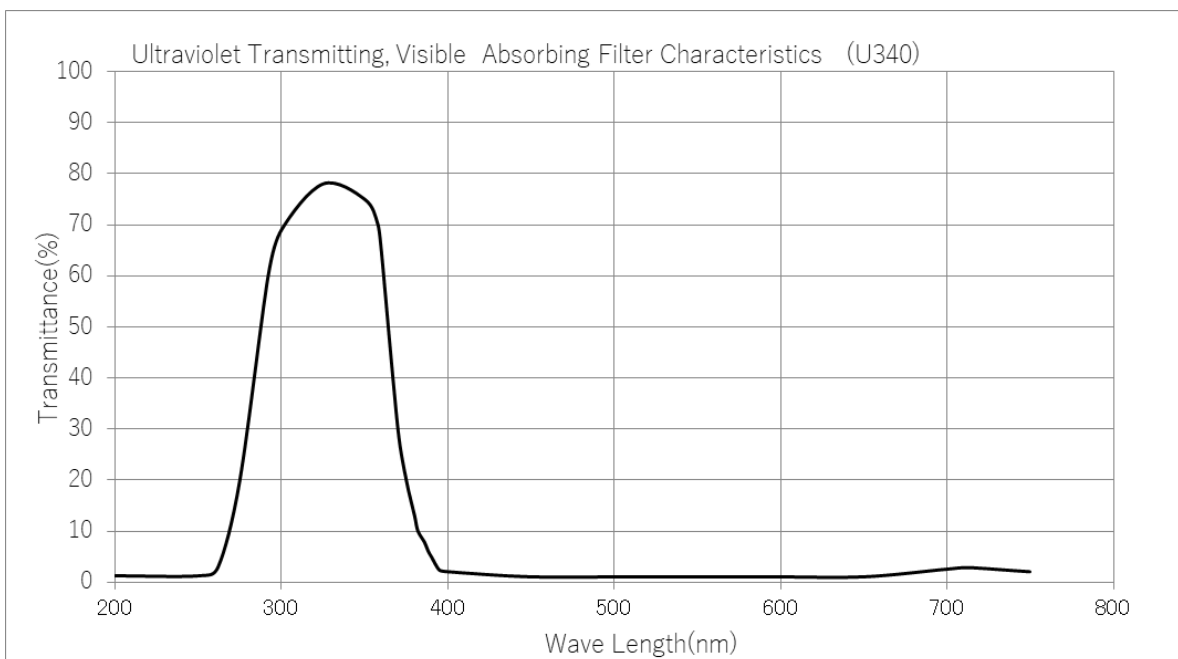


9. Ultraviolet (UV) Transmitting, Visible Absorbing Filter Characteristics

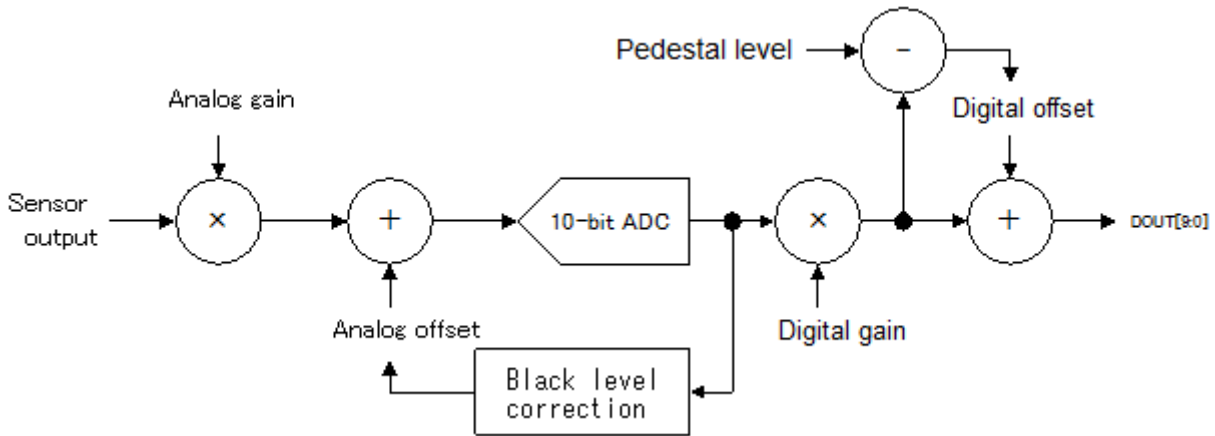
ARTCAM-407UV-WOM is adopting UV transmitting, visible absorbing filter U340.

Please review the image sensor graph of wave length characteristic together for detailed information.

*A model without filter is available.



10. AD Conversion (ARTCAM-WOM series)



*AD conversion to 16 bit and then output the upper 10 bit to digital gain

10.1. Standard functions (configurable in standard viewer/SDK)

- Digital gain

Global gain (digital gain) can be configured with the standard viewer software or SDK.

Setting range on standard viewer software: 0 – 1023

Default value on standard viewer software: 512

Digital gain = gain value x 0.03125 – 6.0 (dB)

Example 1: When default value is 512,

Digital gain = 512 x 0.03125 – 6.0 = 10(dB)

10.2. Optional functions (please contact us for further details.)

- Analog gain:

Can be set to 3dB, 0dB, 6dB, 12dB or 18dB

- Black level correction

By default, black level correction is set automatically, and the Pedestal level is set to 32 at 10bit. (When output is at 8bit, the Pedestal level is approximately $32 / 4 = 8$.)

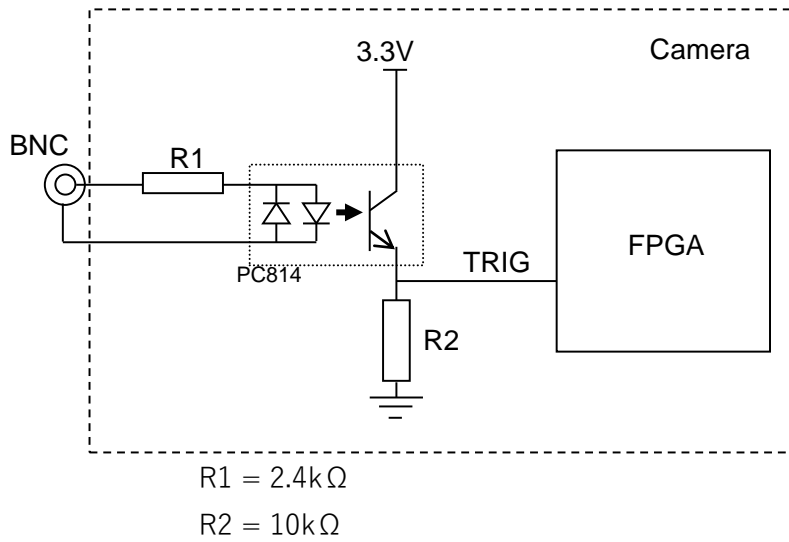
The target value of Pedestal level (32) can also be modified.

11. Optional Functions

11.1. Trigger Input

ARTCAM-WOM series are designed with external trigger.

Trigger Input Circuit



11.2. GPIO

GPIO option is available upon request before the delivery of the ARTCAM-WOM series.

Pin assign

No.	Function
1	GPIO_0
2	GPIO_1
3	GPIO_2
4	VCC(3.3V) Maximum output 50mA
5	GPIO_3
6	GPIO_4
7	GPIO_5
8	Gnd

• Each of the six GPIO pins is pulled up to 3.3V with 1kΩ on the circuit board and is connected to the IO pins on FPGA.

• When GPIO pins are used as output pins, the FPGA output is driven at high impedance and Low level. (At the time of power-up: high impedance)

To control GPIO, please use the ArtCam_SetIOPort / GetIOPort functions in SDK.

To control GPIO output, please specify the corresponding OR calculated values of each bit as per the table below to the second argument of the SetIOPort function.

IO pin	Bit
GPIO_0	0x01
GPIO_1	0x02
GPIO_2	0x04
GPIO_3	0x08
GPIO_4	0x10
GPIO_5	0x20

For example, to have GPIO_0, GPIO_1, GPIO_4 output High(Z) and GPIO_2, GPIO_3, GPIO_5 output Low, please call this as follows:

```
ArtCam_SetIOPort(hACam, (0x01 | 0x02 | 0x10), 0, 0);
```

To read the GPIO pins, BYTE-type values can be gotten with the GetIOPort function.

For example, to get the status on GPIO_4 pin, please call the followings:

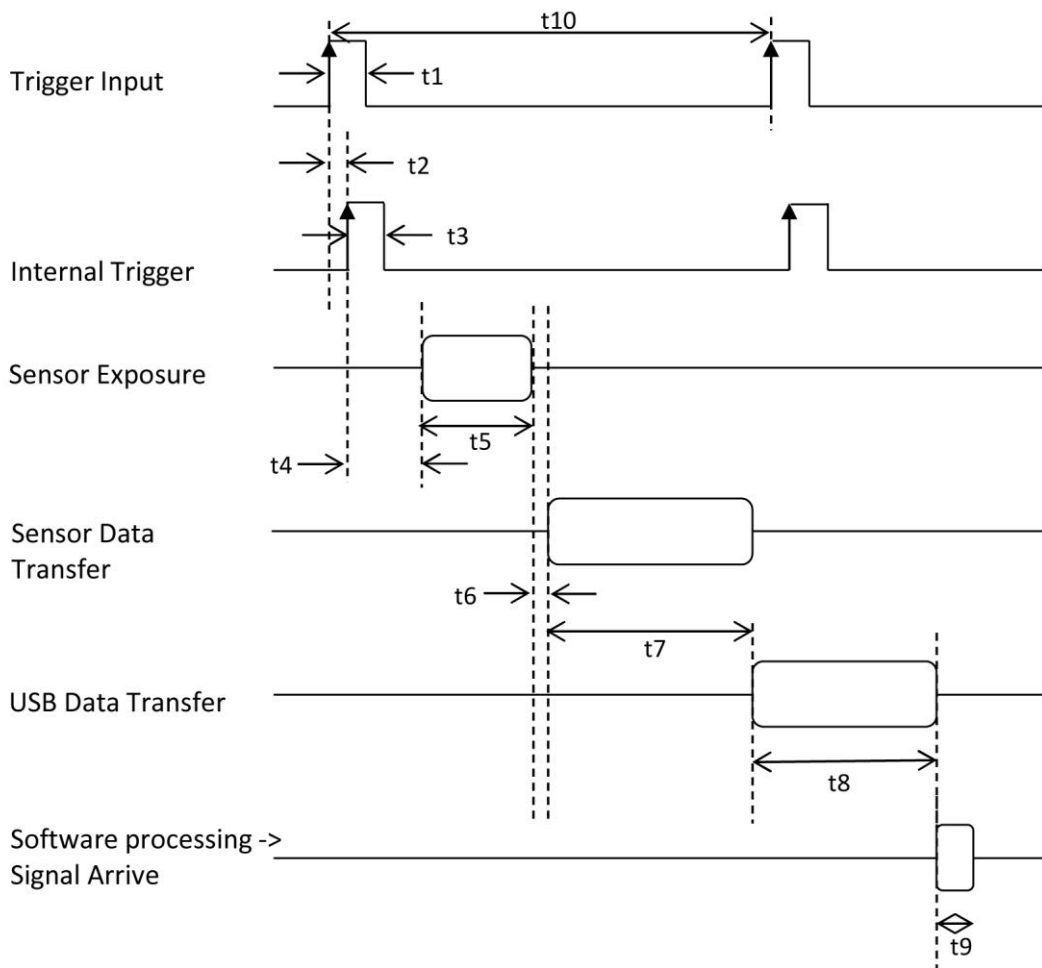
```
BYTE data = 0x00;  
ArtCam_GetIOPort(hACam, &data, 0, 0);  
BOOL gpio4 = (data & 0x10) ? TRUE : FALSE;
```

And the BOOL-type variable gpio4 of GPIO_4 pin is gotten

• Extensions

Monitoring the vertical synchronization signals, horizontal synchronization signals, strobe signals, and trigger signals on the sensor are possible as extensions of the GPIO option. (Optional)

11.3. Trigger Timing Chart



t1	Trigger input pulse width	10 μ s or more
t2	From the start of the trigger Internal trigger signal rise	About 2 μ s or less
t3	Internal trigger signal pulse width	About 10 μ s (fixed value)
t4	Sensor pixel reset period	Shutter setting value * 1 line time (1 line time = 1790 * 1/24 [μ sec])
t5	Sensor exposure period	(1074 - Shutter setting value) * 1 line time
t6	From exposure completion to data transfer	About 8 line hours
t7	Data transfer (sensor-FPGA)	1024 line time \approx 76 ms
t8	Data transfer (FPGA-USB \rightarrow PC)	It depends on the USB transfer speed. (Approximately 40 msec at standard speed)
t9	Software processing time	About 2 msec (depending on CPU speed and processing content)
t10	Valid trigger acceptance interval	About 160 msec

12. System Requirements

12.1. Recommended System Requirements

● Host Controller

This camera is applicable to USB 2.0.

● CPU

The driver of this camera is applicable to computer architecture “x86” or “amd64”.

The specification of CPU effects directly the imaging process speed, therefore it is highly recommended to utilize a high-end CPU if possible.

● Memory

In the viewer software, there is a data buffer which can store 4 to 8 frames.

Therefore, it is necessary to keep spare space at least for 8 frames in the memory.

(For example, when using 1.3MP color camera, $1280 \times 1024 \times 3 \times 8$ [byte] = 30[MB] is necessary.)

It is highly recommended to keep enough memory space especially when using high resolution camera.

● OS

This camera is applicable only to the architecture of Windows NT (32bit/64bit).

Standard functions are confirmed with OS after Windows 7.

In addition, it is recommended to use Windows 11.



Caution

■ Please refer the restrictions below when you use ARTCAM series.

(1) Recommended System Requirements

If the system specifications do not meet the requirements recommended above, it may be difficult to run at the maximum frame rate.

(2) Connection of Multiple USB Devices

When connecting multiple USB devices to one USB host controller, some USB device may fail to function stably depending on the specifications of the host controller.

(Problem of power supply, data transfer bandwidth, etc.)

To avoid power supply problem, it is recommended to use powered USB hub.

(3) USB2.0 Cable Extension

We cannot guarantee the functionality of the USB2.0 camera if the user adopts USB2.0 extension cables or repeaters which are not confirmed by us. With the extension cables or repeaters, the bandwidth of transfer may differ, and thus caused malfunctions such as a low frame rate or recognition failure on the camera.

What may cause the problem is that the regulation of the power lines becomes not enough, and so causes impedance mismatch on data signals.

*For the recommended extension cable, please contact our sales department.

(TEL: +81-3389-5488)

ARTRAY CO., LTD. Obtained ISO 9001: 2015 2018/9/17

1-17-5 Kouenjikita, Suginami-ku, Tokyo 166-0002 Japan

Tel: +81-3-3389-5488

Fax: +81-3-3389-5486

Email: sales@artray.us

URL: www.artray.us

ARTRAY